

MP Resolution

Theia
TECHNOLOGIES



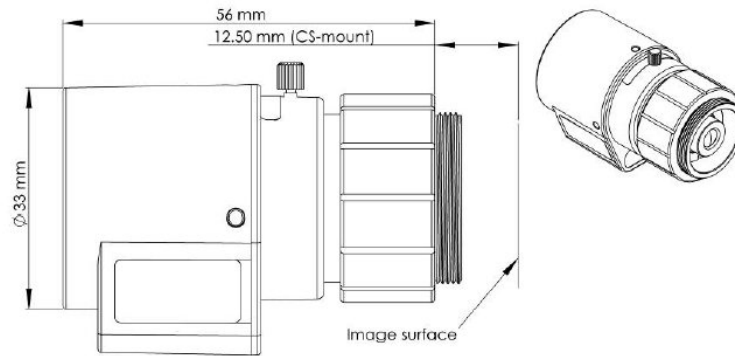
1/2" Megapixel Lens DC AI

- Megapixel lens
- Compact Design
- Built in slip mount mechanism
- 120°H without Distortion

SPECIFICATIONS

| | |
|-------------------|--|
| Image Size | 1/2" |
| Lens Focal Length | 1.67 mm |
| Viewing Angle | 1/4" (94°H), 1/3" (110°H), 1/2.5" (120°H), no distortion |
| Aperture Ratio | F 1.8 |
| Lens Mount | CS-mount |
| Lens Drive Type | DC auto iris, manual iris |
| Dimensions w*h*d | Ø 33 x 56 mm |

MP Resolution

Theia
TECHNOLOGIES**DIMENSIONS****SY110A****Eliminate distortion in wide angle images**