

MP Resolution

Theia
TECHNOLOGIES



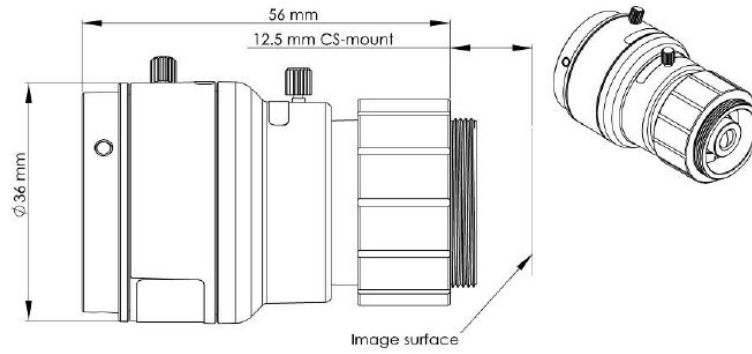
1/2" Megapixel Lens Manual Iris

- Megapixel lens
- Compact Design
- Built in slip mount mechanism
- 120°H without Distortion

SPECIFICATIONS

Image Size	1/2"
Lens Focal Length	1.67 mm
Viewing Angle	1/4" (94°H), 1/3" (110°H), 1/2.5" (120°H), no distortion
Aperture Ratio	F 1.8
Lens Mount	CS-mount
Lens Drive Type	Manual iris
Dimensions w*h*d	Ø 36 x 56 mm

MP Resolution

Theia
TECHNOLOGIES**DIMENSIONS****SY110M****Eliminate distortion in wide angle images**