



3MP Ultra Smart Box IP-Camera ICR 140dB WDR



- 1/2.8" 3Megapixel progressive scan CMOS
- 140 dB super Wide Dynamic Range (WDR)
- H.265, H.264, MJPEG compression modes
- IVS Functions
- Auto back focus

Technical Specifications

Image Sensor	1/2.8" 3Megapixel progressive scan CMOS
Pixels - Effective	2048(H) x 1536(V)
Scanning System	Progressive
Min. Scene Illumination	0.005Lux/F1.4(Color), 0Lux/F1.4(IR on)
S/N Ratio	>50 dB
IR On/Off Control	Auto/ Manual
Lens Drive Type	Auto-backfocus, Motorized
Intelligent Video Analytics	Tripwire, Intrusion, Object Abandoned/Missing, Face Detection, People Counting, Heat Map
Video Compression	H.265, H.264, MPEG4
Video Streaming	3 Streams
Video Resolution	3M(2048x 1536)/1080P(1920x 1080)/720P(1280x 720)/D1(704x 576) /CIF(352x 288)
Bit Rate	H.264: 40K ~ 10Mbps
Col/B	On/Off/Auto, IR-Cut Filter Removable(ICR)
WDR	140dB
White Balance	Auto / Manual
Digital Noise Reduction	3D-DNR : Low/Mid/High
Privacy zones	4
Audio Compression	G.711a/G.711Mu/AAC/ G.726
Ethernet	RJ-45 (100/1000Base-T)
Network Protocol	IPv4/IPv6, HTTP, HTTPS, SSL, TCP/IP, UDP, UPnP, ICMP, IGMP, SNMP, RTSP, RTP, SMTP, NTP, DHCP, DNS, PPPOE, DDNS, FTP, IP Filter, QoS, Bonjour
ONVIF compliant	Profile S
Streaming Method	Unicast, Multicast
Max. Users	20
SD memory	supports up to 128 GB capacity of micro SD memory
Web Browser	Google Chrome, Apple Safari, Internet Explorer (with ActiveX plug-in, supplied)/ Mozilla Firefox V2.x , Mozilla Firefox
Smart Phone	Android, i-Phone, i-Pad, Windows phone
Audio Inputs	1
Audio Outputs	1

Technical Specifications

Alarm Inputs	2
Alarm Outputs	1
Operating Temperature	-30° C ~ +60° C
Supply Voltage	24 Vac / 12 Vdc, PoE (IEEE 802.3af)
Power Consumption (W)	12W
Weight	0.8 kg - 1.76 lbs
Dimensions	Ø 159 mm - 6.26 In

Wall Mount	Wall/Ceiling/Plane Mount
PFB121W	PFB110W
 A technical line drawing showing a camera mounted on a wall. The camera is angled downwards and to the right. The mounting bracket is attached to a vertical wall surface.	 A technical line drawing showing a camera mounted to a ceiling or plane. The camera is suspended from a square mounting plate by a central rod. The camera is angled downwards.

Accessories



PFA101
Mount Adapter



PFB302S
Water-proof Wall Mount Bracket



PFA152
Pole Mount Bracket



PFA138
Water-proof Junction Box

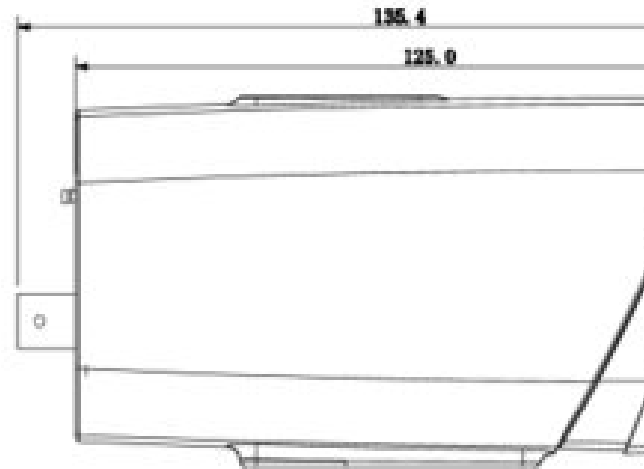
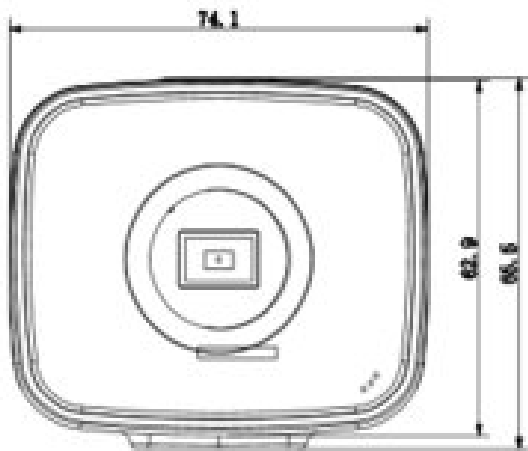


PFB201C
Ceiling Mount Bracket Indoor
/Outdoor



PFB300C
Ceiling Mount Bracket Indoor
/Outdoor

Dimensions



See Product description - Reach Internet site

Produktvideo :

https://www.youtube.com/embed/HBi3_5kondQ